

## Push Pull MIG Welding Torch Air Cooled

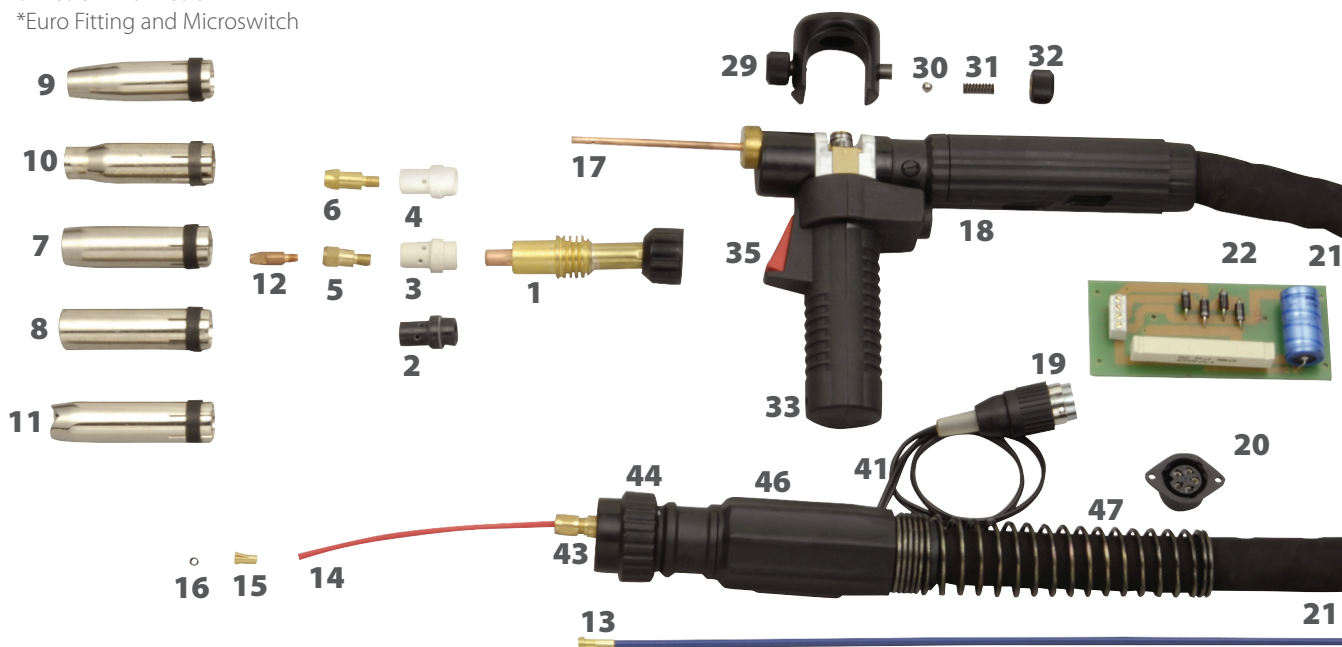
**Model: PP360** Rating 300A Co<sup>2</sup> / 270A Mixed Gases @ 60% Duty Cycle EN60974-7 Wire Size 0.6mm to 1.2mm

### Torch Packages

PP360-6E PP360-8E

6 metre 8 metre

\*Euro Fitting and Microswitch



### Main Consumables

Code	Description	Pack Qty
1	PP3638 Straight Neck	1
	PP3638-45 Swan Neck 45°	1
2	SP3658 Diffuser Black	5
3	SP3658W Diffuser White	5
4	SP3658C Diffuser Ceramic	5
5	SP3681 Tip Adaptor Short M6 Tips	5
	SP3683 * Tip Adaptor Short M8 Tips	5
6	SP3682 Tip Adaptor Long M6 Tips	5
	SP3684 * Tip Adaptor Long M8 Tips	5
7	SP3670 Nozzle Conical	5
8	SP3671 Nozzle Cylindrical	5
9	SP3672 Nozzle Tapered	5
10	SP3673 Nozzle Bottle	5
11	SP3674 Spot Welding Nozzle	5

### Contact Tips (ECU M6 x 28mm)

12	SP2406 0.6mm Steel Wire	25
	SP2408 0.8mm Steel / 0.6mm Alum Wire	25
	SP2409 0.9mm Steel Wire	25
	SP2410 1.0mm Steel / 0.8mm Alum Wire	25
	SP2412 1.2mm Steel / 1.0mm Alum Wire	25
	SP2414 1.2mm Alum Wire	25

For specifically marked ALU Tips add 'A' after the part number eg: SP2410A

### Contact Tips (CuCrZr M6 x 28mm)

Code	Description	Pack Qty
12	SP2508 0.8mm Steel / 0.6mm Alum Wire	25
	SP2509 0.9mm Steel Wire	25
	SP2510 1.0mm Steel / 0.8mm Alum Wire	25
	SP2512 1.2mm Steel / 1.0mm Alum Wire	25

### Liners (Steel)

13	PP3561 0.6 - 0.9mm x 6m - PC Blue	1
	PP3581 0.6 - 0.9mm x 8m - PC Blue	1
	PP3562 1.0 - 1.2mm x 6m - PC Red	1
	PP3582 1.0 - 1.2mm x 8m - PC Red	1

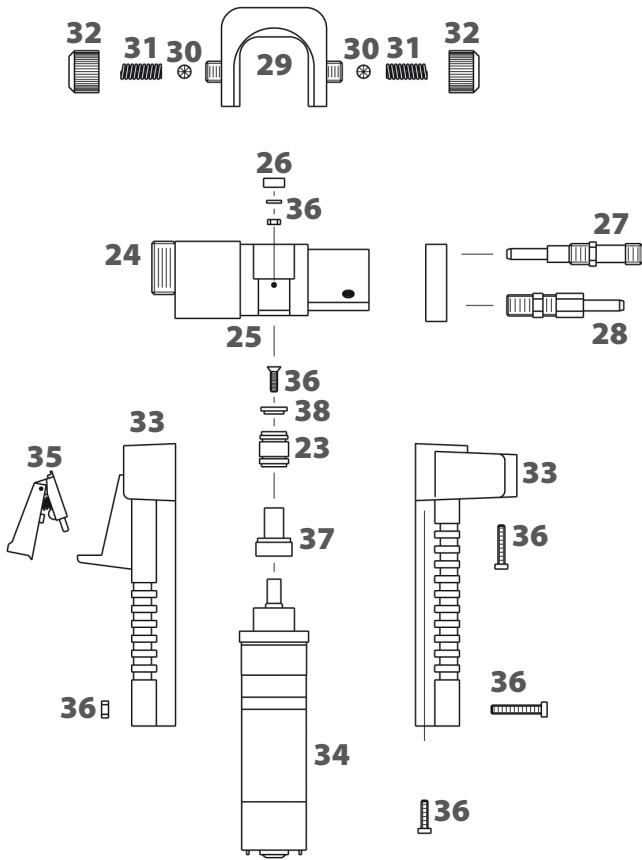
### Liners (PTFE)

14	PP1568T 0.6 - 0.9mm x 6m - PC Blue	1
	PP1588T 0.6 - 0.9mm x 8m - PC Blue	1
	PP2462T 1.0 - 1.2mm x 6m - PC Red	1
	PP2482T 1.0 - 1.2mm x 8m - PC Red	1
15	SP1511 Liner Collet	5
16	SP1517 Liner 'O' Ring	10

### Secondary Consumables

17	PP3662 Contact Tube	1
18	PP3661 Front Housing	1
19	PP3674 5 Pin Plug	1
20	PP3672 Panel Socket for PP3674	1
21	SP3513 Canvas Cover per m	1
22	PP3667 Printed Circuit Board	1

## Handle & Drive Diagram



Code	Description	Pack Qty
23	PP3656-08 Drive Roll 0.8mm	1
	PP3656-08A Drive Roll 0.8mm Alum	1
	PP3656-10 Drive Roll 1.0mm	1
	PP3656-10A Drive Roll 1.0mm Alum	1
	PP3656-12 Drive Roll 1.2mm	1
	PP3656-12A Drive Roll 1.2mm Alum	1
24	PP3639 Torch Body	1
25	PP3640 Pressure Arm	1
26	PP3641 Pressure Roll	1
27	PP3642 Inlet Guide	1
28	PP3643 Gas Nipple	1
29	PP3644 Snap On Head	1
30	PP3645 Ball Bearing	5
31	PP3646 Spring	5
32	PP3647 Spring Cap	1
33	PP3648 Handle Pair	1
34	PP3654 Motor	1
35	SP1464 Handle Trigger	1
36	PP3649 Assorted Screw Kit	1
37	PP3655 Seating	1
38	PP3657 Retaining Washer	1
39	PP3675 Power Cable Assy 6m	1
	PP3673 Power Cable Assy 8m	1
40	SP9007 Gas Hose per m	1
41	MP2537 Motor Control Cable per m	1
42	PP3666 Gun Plug Body	1
43	SP1597 Liner Retaining Nut	5
44	SP1594 Gun Plug Nut	1
45	SP1593 Gun Plug Screw	10
46	X6RC Gun Plug Housing	1
47	SP3587 Spring Support	1

## Cables & Housing Diagram

